

Technical Specifications

Power Supply	6...30VDC PELV
Power Consumption	typ. 49mW, max. 95mW
Total Power Loss	max. 95mW
Safety Protection	IP30
Ambient Temperature	-20...70°C / -4...158°F
Humidity	95% r.H. (non condensing)
Dimensions	90x90x16mm / 3.54x3.54x0.63" (LxWxH)
Maintenance & Cleaning	This device is free of maintenance and may only be cleaned with a dry cloth.

Connection

Wire Conductor cross-section	0.25...0.8mm ² / AWG18...AWG23
Exposed Wire Length	5mm / 0.2"
Push-In-Technology	To make connection, insert the wire; to remove the wire twist and pull at the same time.

LOXONE

Need Help?

loxone.com/support

Loxone Electronics GmbH
Smart Home 1
4154 Kollerschlag
Austria

loxone.com



V251119

LOXONE



Touch Pure Tree

Part No: 100396 (White)
Part No: 100398 (Anthracite)

About the product

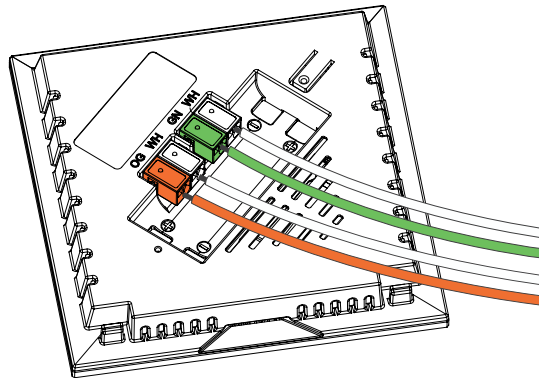
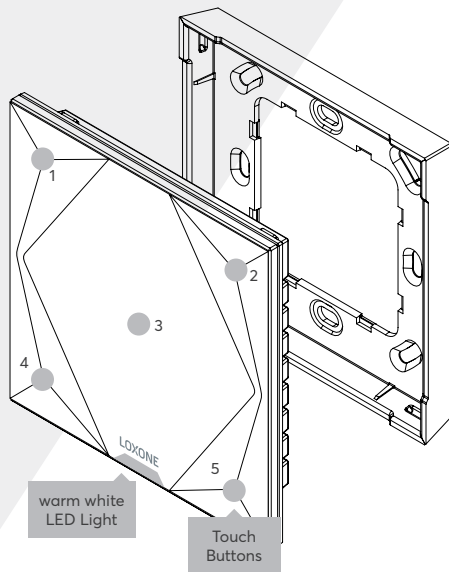
The Loxone Touch Pure has five touch zones, which can be configured according to your needs. The large central touch zone is ideal for controlling lighting, whilst the corner zones are handy for controlling music and blinds, for example.

Features

- 5 touch buttons
- Temperature & Humidity sensor
- Optional click feedback
- Orientation LED light

Installation

Install the mounting frame on the desired installation place. Power up the device and pair it with your Miniserver in Loxone Config. To finish the installation attach the Loxone Touch on the mounting frame.



This folder is a part of the product!



For additional information, declaration of conformity, visit www.loxone.com/help/touch-pure-tree